

INSTALLATION INSTRUCTIONS

WARNING: Drilling, sawing, sanding or machining wood products can expose you to wood dust, a substance known to the State of California to cause cancer. Avoid inhaling wood dust or use a dust mask or other safeguards for personal protection. For more information go to www.P65Warnings.ca.gov/wood

CAUTION: Do not sand any surfaces containing lead based paints, finishes, or asbestos. For buildings built in 1978 and earlier, contact the EPA for lead based testing prior to any sanding (www.epa.gov).

To obtain installation assistance or product information concerning this flooring, contact the store of original purchase, or call the Lumber Liquidators customer care at 800-366-4204.

IMPORTANT: Save time & avoid frustration! Read these entire instructions before starting your installation!

RECOMMENDED USE:

- AQUASEAL™ Laminate Flooring is designed as a floating floor, and is installed by using a patented glueless click system.
- This laminate product is a floor covering only, it is not designed to be used as a structural material.
- This product is recommended for interior use only and can be installed on, above, or below grade levels.
- See the product's warranty for details.
- IMPORTANT!** When installing in **wet areas** such as a bathroom, laundry room or kitchen, a watertight seal must be achieved by applying flexible 100% silicone sealant and backer-rod to the perimeter of the installation. **DO NOT use acrylic sealant.** See step 11. for details.
- This Laminate Flooring product is not suitable for use in areas where the floor is usually wet such as, but not limited to: steam rooms and saunas. Do not install in rooms that have floor drains or sump pumps.

JOBSITE CONDITIONS:

- The building should be enclosed, with all doors and windows in place.
- The rooms should be in normal living conditions with HVAC operational.
- Crawlspaces must be a minimum 18" from the bottom of the floor joist to the ground. Crawlspaces should have adequate cross ventilation. The ground of the crawlspace must have a minimum 6 mil thick polyethylene film covering the entire crawlspace ground. Basements, crawlspaces and garages under the flooring need to be dry and well ventilated.
- All gutters should be in place and functioning properly. Yard grading should be sloped to run water away from the home foundation.
- To avoid damages to the floor's finish, all construction activity should be completed before installing this laminate floor.

STORAGE & ACCLIMATION:

- Flooring should be delivered and stored flat on a dry surface in unopened boxes in the room where it is to be installed.
- Acclimate the flooring for a minimum of 48 hours prior to installation (96 hrs. in very dry or humid climates) and away from exterior walls, and away from heat or AC vents by at least 3 feet. Do not store in sheds or garages, or directly on cement. If it must be placed on cement, lay down a layer of plastic tarp to protect from moisture, and elevate to allow for air circulation.
- Installation should be carried out at a room temperature of 60 - 85°F, and a subfloor temperature of at least 59°F.
- The relative humidity in the room should be 35-75%.
- Proper site conditions must be maintained throughout the lifetime of the flooring.
- Once boxes are opened, the flooring should be installed promptly.
- Protect carton corners from damage. Protect from rain or moisture.
- Improper storage and acclimation can result in warping, and it may prevent proper assembly of this laminate.

GENERAL INFORMATION:

- It is recommended that you add a 5% waste factor above the actual square footage of the room(s) that are to be installed.
- Diagonal installations may require 10% extra material. It is recommended you have an extra box for future repairs if needed.
- AQUASEAL™ Laminate Flooring should not be installed touching any fixed obstructions (walls, door jams, pipes, staircases, posts, fixtures, built-ins, etc.) and should not be glued, nailed, screwed or otherwise fixed or attached (e.g. door stopper, closet track) to the sub-floor in any way. This is a "floating" floor and must have room to expand and contract.
- A minimum expansion gap of 1/2" is required on all sides, and at all vertical obstructions. This expansion gap can be covered up with baseboards, quarter round molding, or the appropriate floor trim.
- Do not install under kitchen base cabinets, islands, etc. of any type. Install the cabinets first, then the floor.
- Remove any tongues or grooves on the side of planks that will abut the walls and or vertical obstructions.
- T-moldings are required in rooms that are greater than 40' wide or 40' long and when doorways overlap into new rooms that do not join symmetrically (flooring direction is changed).**
- Buckling, gaps, and separations can develop if this requirement isn't met.
- If the room has electric baseboard heaters, leave a minimum of 1/2" between the surface of the flooring and the bottom of the heaters, allowing heat to circulate.
- This product is **not recommended** for use on ceilings, or in boats or other moving vehicles.
- Please inspect the flooring panels carefully for any possible damage or defects before installation. Warranty claims will not be accepted regarding visual defects after the flooring has been installed.
- AQUASEAL™ will not accept responsibility for claims on flooring installed with obvious defects.
- If you discover apparent defects in the flooring panels, stop the installation immediately and call us at **1-800-366-4204**.

INSTALLATION TOOLS (as needed):

- Laminate installation kit • Laminate spacers • Tape measure • Pencil • 16 oz. Hammer • Chalk line • Pull bar • Table saw • Drill / Drill bits • Miter saw (60 tooth Carbide-tipped circular saw blades) • Jig saw • Duct tape • Blue painters tape (2080) • Moisture meter • Safety glasses • Dust mask • Broom • Jamb saw • Eye protection • Ear protection • Dust Mask • Gloves • Hygrometer (to monitor in-home humidity) • PVA wood glue • Calcium chloride moisture test (concrete)

ALL SUBFLOORS NEED TO BE: CLEAN – FLAT – DRY; and free of any defects.

- All substrates must be structurally sound and free from movement or deflection.
- Important: Subfloors must be flat within 1/8" over 6', and 3/16" over a 10' span.**
- Differences in floor flatness must either be sanded or ground down, or built-up with a suitable floor leveling material.
- Improper substrate or flatness can result in gaps, squeaks and poor plank fitting during assembly.

WOOD SUBFLOOR :

- Screw down loose or squeaky sections of plywood and replace areas that are damaged.
- Wood subfloors should be moisture tested with an appropriate wood moisture meter, and the results must be no more than 12% on average. Test the subfloor moisture in several locations. Higher readings indicate a moisture concern that needs to be corrected before installation can begin.
- Allow wood floors to breathe! Never apply sheet plastic over wood subfloors.
- Wood subfloors must be constructed according to local building codes, be structurally sound and deflection free.
- 30 lb roofing felt, vinyl tile or roofing shingles can be used to build up (in layers) low areas on wood subfloors.

CONCRETE SUBFLOOR:

- New concrete subflooring should be cured for at least 60 days prior to installation.
- Grind down high spots and fill in low spots with an appropriate Portland cement based patch (allow to cure fully).
- A moisture test is strongly recommended. Acceptable tests are ASTM F1869 Calcium Chloride test, or ASTM F2170 using in situ probes, to test the humidity of the slab. Moisture levels exceeding 5lbs per 1000sqft using the Calcium Chloride test, or over 75% when using the in situ probe test, must have an appropriate moisture barrier between the concrete and flooring.
- A minimum 6mil virgin polyethylene sheet plastic moisture barrier must be used over all concrete surfaces. Seams should be OVERLAPPED 8" and taped using a waterproof adhesive tape (duct tape). This vapor barrier should be installed up the wall at least 1".
- Slabs on or below grade must be free of hydrostatic pressure.
- NOTE: This floor is water resistant, but not water proof. Moisture intrusions from concrete hydrostatic pressure, flooding, or plumbing leaks can affect floor coverings. High moisture can also be trapped below the flooring and create mildew or mold.**
- The installer is responsible for making sure the subfloor moisture content is suitable prior to installation of this floor.**
- Warranty claims will not be accepted for moisture damage caused by insufficient moisture barriers being used.**

EXISTING FLOORS:

- AQUASEAL™ Laminate Flooring can be floated over existing clean, flat, dry, and well bonded ed/secured tile or vinyl flooring.
- Any existing wood flooring glued to concrete must be removed prior to laminate installation.
- Do not install this flooring over cushioned vinyl flooring, or any existing floating floor products.
- All carpeting and padding must be removed before laying laminate flooring.
- Existing sheet vinyl, VCT, LVT, ceramic tile, and terrazzo installed will still require a moisture barrier and must meet flatness requirements.

RADIANT HEAT SYSTEMS:

- AQUASEAL™ Laminate Flooring may be installed over radiant heating systems. Be sure to consult and follow the heating systems' manufacturer's installation instructions thoroughly during installation.
- Lower heating system to 60°F (16°C) for 1 week before installation.
- After installation, slowly increase the temperature in increments of 10°F per hour maximum.
- Surface temperature must not exceed 85°F (28°C).
- Follow flooring installation instructions for wood or concrete subfloors as outlined above.
- Please contact your qualified heating specialist if there is any question before installation of the laminate flooring.
- Before installing, please contact Lumber Liquidators regarding Conductive Ink technology electric radiant heat mats approved for use with this flooring. Call 1-800-HARDWOOD and ask for the Tech & Install support department.

ADDITIONAL UNDERLAYMENT PAD:

- Additional underlayment padding is not required for laminates that come with a pre-attached cushion on the back of the plank. However quality underlayments can help smooth out minor subfloor imperfections, provide moisture protection over wood subfloors and have added insulation and sound control properties. Please see Lumber Liquidators for recommended underlayments.

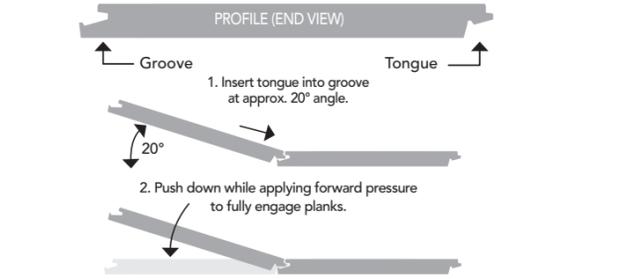
GETTING STARTED:

- Determine which direction the planks will be installed. To make the room appear larger when installing in very small rooms or hallways, it is preferable to lay the planks parallel to the longest room dimension.
- When possible; Minimize end-joint "shadow" by running panels parallel with the primary light source.
- Generally, plank flooring is run parallel with the longest straight exterior wall.
- Contractors: It is advisable to determine the installation direction (North/South vs East/West) with the end user.
- IMPORTANT:** Carefully measure the room to determine the width of the first and last row of planks. To avoid too-narrow pieces at the finish wall, measure the distance between the starting wall and the finish wall, then divide this number by the width of the laminate flooring planks. If the width of the last row of planks will be less than 2-1/2" excluding the tongue, cut and adjust the width of first row of planks accordingly. NOTE: If a narrow strip is unavoidable for the last row, the final two rows can be glued together. NOTE: If the seams to avoid board separation. Use a floating floor adhesive.
- Inspect all planks for visible defects and damage before and during installation. Inspect the tongue and groove area for any debris that may prevent proper assembly. Do not install damaged or defective panels!
- To achieve the best look, mix laminate planks, and pull from several boxes at a time when installing.
- When your starting wall has raised baseboards, or drywall that is more than 1/2" off the floor, you may need to temporarily secure the spacers to the wall with tape to prevent movement of starting row.
- Always install in good lighting so visual defects can clearly be seen.
- If the starting wall is irregular, scribe or trace the contour of the wall on the first row of planks. Lift the planks and cut along scribe mark. Reinstall first row of planks.
- When cutting planks, cut make sure that the teeth of the power saw blade are cutting directly into the decorative side of the plank. Best results are achieved when using carbide tipped cutting blade. Cut slowly and carefully. This will help avoid damaging the image surface.

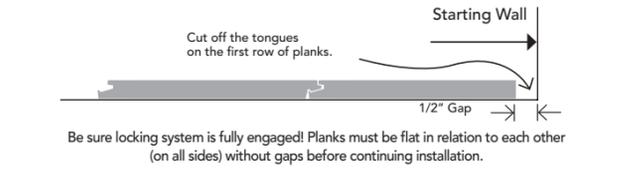
FINISHING UP:

- Your new floor may be walked on immediately.
- Add baseboards and moldings to cover the gaps between the floor and wall, and when transitioning to other existing floors.
- Nail the base moldings and trims to the walls, not to the flooring. This will allow for normal movement of this floating floor.

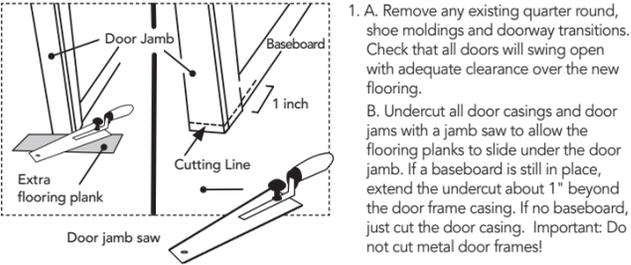
How to Assemble Tongue and Groove Planks



NOTE: Tongue image is for illustration only. The actual locking shape of your floor may differ.



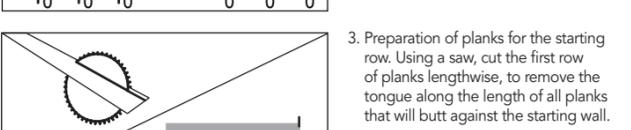
IMPORTANT NOTE:
T-moldings are required in rooms that are greater than 40' wide or 40' long and when doorways overlap into new rooms that do not join symmetrically (flooring direction is changed).



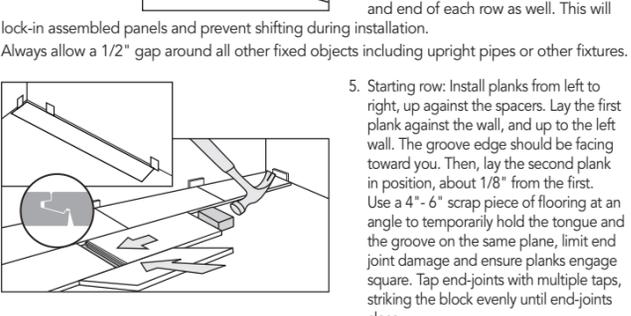
1. A. Remove any existing quarter round, shoe moldings and doorway transitions. Check that all doors will swing open with adequate clearance over the new flooring.

B. Undercut all door casings and door jams with a jamb saw to allow the flooring planks to slide under the door jamb. If a baseboard is still in place, extend the undercut about 1" beyond the door frame casing. If no baseboard, just cut the door casing. Important: Do not cut metal door frames!

C. To find the height to cut the jamb, lay a scrap piece of flooring (and underlayment, if used) next to the door frame, and lay the saw blade on top.



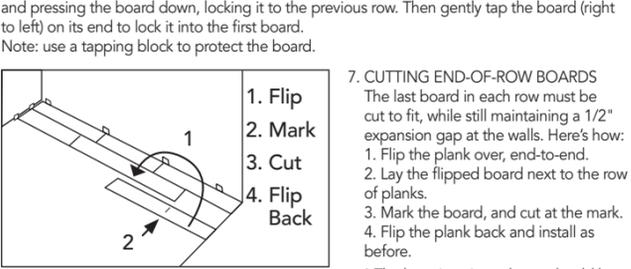
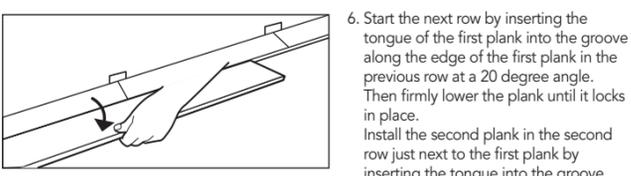
3. Preparation of planks for the starting row. Using a saw, cut the first row of planks lengthwise, to remove the tongue along the length of all planks that will butt against the starting wall.



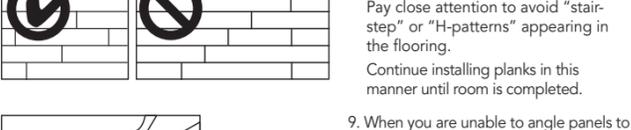
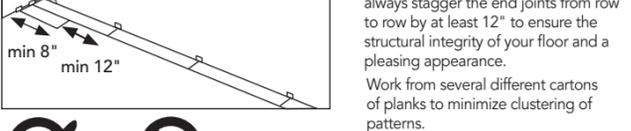
NOTE: Tapping too hard or striking the tapping block unevenly can result in installation-related damage or peaking.

Keep laying boards this way (and for each row) until you reach the other wall.

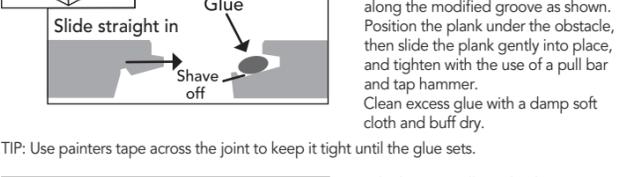
Note: See step 7 for cutting the last plank to fit.



* The piece you cut off may be used as the first piece in the next row, if it is at least 8" long.

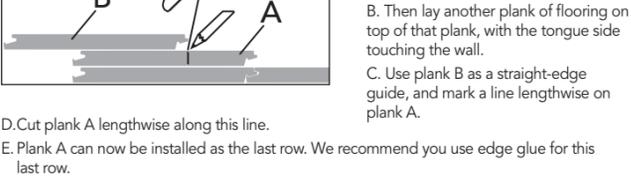


TIP: Use painters tape across the joint to keep it tight until the glue sets.

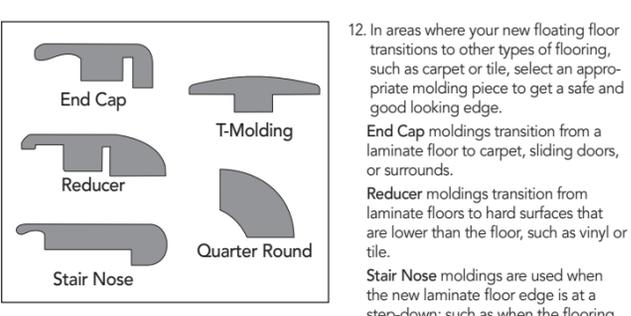
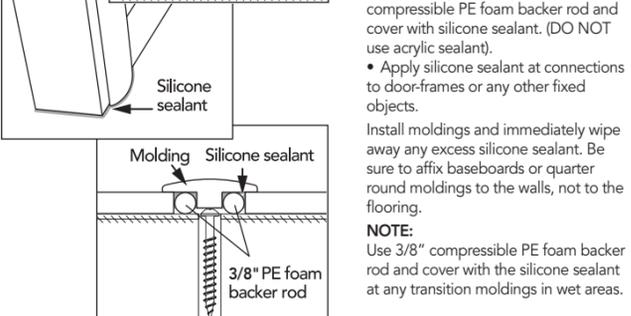


D. Cut plank A lengthwise along this line.

E. Plank A can now be installed as the last row. We recommend you use edge glue for this last row.



NOTE:
Use 3/8" compressible PE foam backer rod and cover with the silicone sealant at any transition moldings in wet areas.



Instrucciones de Instalación

ADVERTENCIA La perforación, corte con sierra, lijado o maquinado de productos de madera puede exponerlo a polvo de madera, una sustancia que el Estado de California reconoce como causante de cáncer. Evite inhalar polvo de madera o utilice una máscara antipolvo u otras protecciones para protección personal. Para acceder a información adicional, visite www.P65Warnings.ca.gov/wood.

PRECAUCIÓN: No lije ninguna superficie que contenga pinturas en base a plomo, acabados o amianto. En el caso de edificios construidos antes de 1978, comuníquese con la EPA para realizar una prueba en base a plomo antes de realizar todo lijado (www.epa.gov).

Para obtener asistencia con la instalación o información del producto sobre este piso, comuníquese con la tienda de la compra original o llame a atención al cliente de Lumber Liquidators al 800-366-4204.

IMPORTANTE: ¡Ahorre tiempo y evite frustraciones! Lea estas instrucciones por completo antes de comenzar con la instalación.

USO RECOMENDADO:

- El piso laminado AQUASEAL™ fue diseñado como un piso flotante, y se instala mediante el uso de un sistema patentado a presión sin pegamento.
- Este producto laminado es para cubrir pisos únicamente, no fue diseñado para ser utilizado como material estructural.
- Recomendamos este producto para uso en interiores únicamente, y puede ser instalado en el nivel del suelo, debajo del nivel del suelo o arriba del nivel del suelo.
- Consulte la garantía del producto para obtener detalles.

• **IMPORTANTE!**

- Al instalar en **áreas húmedas**, como un baño, cuarto de lavado o cocina, se debe lograr un sello hermético al aplicar un sellador flexible de 100% sílica y una varilla de soporte en el perímetro de la instalación. **NO utilice sellador acrílico.** Vea **paso 11**, para detalles en la próxima página.
- Este producto de Pisos Laminados no es adecuado para el uso en áreas donde el piso generalmente está húmedo, como, entre otros:

- Salas de vapor y saunas. No instale en habitaciones que tengan drenajes de piso o bombas de sumidero.

CONDICIONES DEL LUGAR DE TRABAJO

- El edificio debe estar cercado, con todas las puertas y ventanas instaladas.
- Las habitaciones deben estar en condiciones de vida normal, con el sistema de calefacción, ventilación y aire acondicionado funcionando.
- Los sótanos de poca altura deben tener un mínimo de 18" desde la parte inferior de los vigas del piso hasta el suelo. Los sótanos de poca altura deben tener ventilación cruzada adecuada. El piso del sótano de poca altura debe estar cubierto por completo con una película de polietileno virgen de 0,15 mm [6 mil] como mínimo de espesor. Los sótanos, sótanos de poca altura y garajes debajo del piso deben estar secos y con ventilación adecuada.

- Todos los desagües debe estar instalados y funcionar adecuadamente. La nivelación del patio debe ser la adecuada para evitar el agua de los ciemientos de la vivienda.
- Para evitar daños al acabado del piso, debe terminar con toda la actividad de construcción antes de instalar este piso laminado.

ALMACENAMIENTO Y ACCLIMATACIÓN:

La entrega y almacenamiento del piso debe tener lugar en una superficie horizontal y seca en cajas cerradas, en la habitación en la que se instalará.

Debe aclimatar el piso un mínimo de 48 horas antes de la instalación (96 horas en climas muy secos o húmedos) y a una distancia de por lo menos 3 pies de paredes exteriores y conductos de calefacción o aire acondicionado. No lo almacene en casetas o garajes o directamente sobre cemento. Si debe dejarlo sobre cemento, coloque una lona de plástico para protegerlo de la humedad y elévelo para permitir la circulación de aire.

- La instalación se debe realizar a una temperatura ambiente de 60 - 85° F, y a una temperatura de contrapiso de por lo menos 59° F.

- La humedad relativa de la habitación debe ser 35-75%.
- Es necesario mantener las condiciones adecuadas del lugar durante toda la vida útil del piso.
- Una vez que se abrieron las cajas, el piso debe ser instalado inmediatamente.
- Evite daños en las esquinas de las cajas. Protéjalas de la lluvia o la humedad.
- El almacenamiento y aclimatación inadecuados pueden dar lugar a combado e impedir el ensamblaje adecuado de este piso laminado.

INFORMACIÓN GENERAL:

- Le recomendamos agregar un factor de desecho de 5% más allá de los pies cuadrados reales de la habitación o habitaciones en las que lo instalará.
- Las instalaciones en diagonal pueden requerir 10% de material adicional. Le recomendamos que cuente con una caja adicional para reparaciones futuras, si son necesarias.

- El piso laminado AQUASEAL™ no se debe instalar en contacto con ninguna obstrucción fija (paredes, jambas de puertas, tuberías, escaleras, columnas, artefactos de iluminación, muebles fijos, etc.) y no se debe pegar, clavar, atornillar ni fijar de otra manera (por ejemplo, tope de puerta, riel de closet) al contrapiso. Se trata de un piso "flotante" que debe tener espacio para expandirse y contraerse.
- Es necesario dejar un espacio de expansión mínimo de 1/2" en todos los lados y en todas las obstrucciones verticales. Dicho espacio de expansión puede ser cubierto con zócalos, moldura de cuarto bocel o una moldura para piso adecuada.
- No lo instale debajo de gabinetes bajos de cocina, islas, etc. de ningún tipo. Instale primero los gabinetes y luego el piso.

- Retire todas las lengüetas o ranuras del lado de la tablilla que dará con paredes y/u obstrucciones verticales.
- Las molduras en T se requieren en habitaciones que tienen más de 40' de ancho o 40' de longitud y cuando las puertas se superponen en habitaciones nuevas que no se unen simétricamente (se cambia la dirección del piso).

- Si no cumple con este requisito, puede producirse combado, brechas y separaciones.
- Si la habitación cuenta con zócalos de calefacción eléctrica, deje un mínimo de 1/2" entre la superficie del piso y la parte inferior de la calefacción, para permitir que circule el aire.
- No se recomienda** el uso de este producto en cielorrasos o en embarcaciones u otros vehículos.
- Revisé cuidadosamente los paneles de piso antes de la instalación para verificar si existe algún daño o defecto. No se aceptarán reclamos de garantía relacionados con defectos visuales después de que el piso fue instalado.
- AQUASEAL™ no aceptará responsabilidad por reclamos por pisos instalados con defectos obvios.
- Si descubre algún defecto aparente en los paneles del piso, suspenda la instalación inmediatamente y llámenos al **1-800-366-4204**.

HERRAMIENTAS PARA LA INSTALACIÓN (según sea necesario):

- Juego para instalación de pisos laminados • espaciadores para pisos laminados • cinta métrica • lápiz • martillo de 16 onzas • línea marcadora de tiza • barra de instalación • sierra de mesa • taladro/brocas de taladro • sierra angular (hojas de sierra circulares con puntas de carburo de 60 dientes) • sierra caladora • cinta para conductos • cinta azul de pintor (2000) • medidor de humedad • gafas de seguridad • mascarillas antipolvo • escoba • sierra para jamba • protección ocular • protección auditiva • mascarilla antipolvo NIOSH • guantes • higrometro (para controlar la humedad en la vivienda) • pegamento PVA para madera • prueba de humedad de cloruro de calcio (concreto)

- TODOS LOS CONTRAPISOS DEBEN ESTAR/SER: LIMPIOS - PLANOS – SECOS: y sin ningún defecto.
- Todos los sustratos deben estar firmes desde un punto de vista estructural y libres de movimiento o desviación.
 - Importante: Los contrapisos deben estar nivelados con una tolerancia de 1/8" en un tramo de 6' y 3/16" en un tramo de 10'.
 - Es necesario eliminar las diferencias en el nivel del piso mediante lijado o pulido o elevadas con un material adecuado para nivelar pisos.
 - Los sustratos o nivelación inadecuados pueden dar lugar a espacios, chirridos, o ajustado deficiente de las tablillas durante el ensamblado.

CONTRAPISO DE MADERA:

- Atomille las secciones de madera contrachapada flojas o chirriantes y reemplace las zonas dañadas.
- Los contrapisos de madera se deben someter a prueba de humedad con un medidor de humedad en la madera adecuado y los resultados no deben ser superiores al 12% en promedio. Pruebe la humedad del contrapiso en diversos lugares. Las lecturas más elevadas indican un problema de humedad que debe corregir antes de poder comenzar con la instalación.
- Permita que el piso de madera respire. Nunca coloque un revestimiento plástico sobre los contrapisos de madera.
- Los contrapisos de madera deben estar contruidos de conformidad con los códigos de construcción locales, deben ser sólidos desde un punto de vista estructural, y estar libres de desviaciones.
- Es posible utilizar fieltro para techos de 30 libras o losas de vinilo para elevar (en capas) las áreas bajas de contrapisos de madera.

CONTRAPISO DE CONCRETO:

- Es necesario dejar secar los contrapisos de concreto nuevos por lo menos durante 60 días antes de la instalación.
- Pula los lugares elevados y rellene los lugares bajos con material para parchar en base a cemento Portland (deje que se seque por completo).
- Recomendamos añadir una prueba de humedad. Las pruebas aceptables son las de Cloruro de Calcio ASTM F1869 o ASTM F2170 utilizando sondas en el lugar para determinar la humedad de la losa. Los niveles de humedad superiores a 3 libras por 1000 pies cuadrados obtenidos con la prueba de cloruro de calcio, o superiores a 75% utilizando una prueba con sonda en el lugar requieren una barrera de humedad adecuada entre el concreto y el piso.

- Se debe utilizar una barrera de humedad de polietileno virgen de 0,15 mm [6 mil] como mínimo sobre las superficies de concreto. Las uniones deben estar SUPERPUESTAS 8" y pegadas con cinta adhesiva impermeable (cinta de embalar). Esta barrera de vapor debe instalarse al menos 1" en la pared.

Comuníquese con Lumber Liquidators para obtener información sobre membranas recomendadas.

- Las losas a nivel del suelo o por debajo del nivel del suelo deben estar libres de presión hidrostática.
NOTA: Este piso es resistente al agua pero no a prueba de agua. Las filtraciones de humedad debido a presión hidrostática de concreto, inundación o fugas de tuberías pueden afectar las cubiertas del piso. La humedad elevada puede además quedar atrapada debajo del piso y generar moho.

- El instalador es responsable de asegurarse de que el contenido de humedad del contrapiso es adecuado antes de la instalación de este piso.

- No se aceptarán reclamos de garantía por daños de humedad causados por el uso de una barrera de humedad insuficiente.

PISOS EXISTENTES:

- El piso laminado AQUASEAL™ se puede instalar de forma flotante sobre un piso existente de baldosas o vinilo limpio, plano, seco y con una fijación adecuada.
- Es necesario retirar todo piso de madera pegado sobre concreto antes de la instalación del piso laminado.
- No instale este piso sobre piso de vinilo acolchado o ningún producto de pisos flotante existente.
- Es necesario retirar toda alfombra o material acolchado antes de colocar el piso laminado.
- Las láminas de vinilo, VCT, LVT, o lasa de cerámica y terrazo existente instalado requerirá una barrera de humedad y deben cumplir con los requisitos de nivelación.

SISTEMAS DE CALOR RADIANTE:

- El piso laminado AQUASEAL™ se puede instalar sobre sistemas de calefacción radiante. Asegúrese de consultar y seguir todas las instrucciones de instalación del fabricante del sistema de calefacción durante la instalación.
- Reduzca el sistema de calefacción a 60° F (16° C) durante 1 semana antes de la instalación.
- Después de la instalación, aumente la temperatura de a poco en incrementos de 10° F por hora como máximo.
- La temperatura de la superficie no debe superar 85° F (28° C).
- Siga las instrucciones de instalación del piso para contrapisos de madera o concreto, tal como se describe más arriba.

- Comuníquese con su especialista de calefacción autorizado si tiene alguna pregunta antes de la instalación del piso laminado.

• Antes de instalarlo, comuníquese con Lumber Liquidators para obtener información sobre los tapetes de calefacción radiante eléctrica de tecnología de tinta conductiva aprobados para uso con este piso. Llame a 1-800-HARDWOOD y póngalo en contacto por el departamento de Soporte Técnico e Instalación.

MEMBRANA DE BASE DE PISO ADICIONAL:

- No es necesaria una membrana de base de piso adicional para pisos laminados que incluyen una membrana prefijada en la parte de atrás de las tablillas. Sin embargo, las membranas de base adicionales pueden contribuir a suavizar las imperfecciones menores del contrapiso, agregar protección adicional contra la humedad sobre contrapisos de madera, ofrecer aislamiento adicional y propiedades de control acústico. Comuníquese con Lumber Liquidators para obtener información sobre membranas recomendadas.

PARA EMPEZAR:

- Determine en qué dirección instalará las tablillas. Para que la habitación tenga un aspecto de mayor tamaño cuando la instalación tiene lugar en habitaciones pequeñas o pasillos, es preferible colocar las tablillas paralelas a la dimensión más larga de la habitación.

- Cuando sea posible, minimice la "sombra" de la unión de extremos colocando los paneles paralelos a la fuente principal de iluminación.

- Por lo general, las tablillas del piso se colocan paralelas a la pared exterior derecha de mayor longitud.
- CONTRASTAS: Aconsejamos decidir la dirección de la instalación (norte/sur o este/oeste) con el uso de una línea final.

- IMPORTANTE: Mida la habitación cuidadosamente para determinar el ancho de la primera y última fila de las tablillas. Para evitar las secciones demasiado anchas en la pared final, mida la distancia entre la pared inicial y la pared final. Luego divida dicho número por el ancho de las tablillas de piso laminado. Si el ancho de la última fila de tablillas será de menos de

2-1/2" excluyendo la lengüeta, corte y ajuste en consecuencia el ancho de la primera fila de tablillas.
NOTA: Si no es posible evitar una tablilla ancha en la última fila, puede pegar para unir las dos últimas filas para evitar la separación de las tablillas. Utilice un adhesivo para piso flotante.

Revisite todas las tablillas para detectar defectos y daños visuales antes y durante la instalación. No instale el área de la lengüeta y la ranura para detectar todo defecto que pueda evitar un ensamblado adecuado. ¡No instale paneles dañados o defectuosos!

- Para lograr el mejor aspecto, combine las tablillas laminadas sacándolas de diferentes cajas durante la instalación.

- Cuando la pared inicial tiene zócalos elevados o paneles de yeso que están a una distancia mayor que 1/2" del piso, tal vez sea necesario fijar temporalmente los espaciadores a la pared con cinta para evitar que se mueva la fila inicial.

- Siempre debe llevar a cabo la instalación con iluminación adecuada para poder ver con claridad los defectos visuales.

- Si la pared inicial es irregular, trace una línea con el contorno de la pared en la primera fila de tablillas. Levante las tablillas y corte a lo largo de la marca trazada. Vuelva a instalar la primera fila de tablillas.

- Cuando corte tablillas, asegúrese de que los dientes de la hoja de la sierra eléctrica corten directamente hacia la superficie decorativa de la misma. Los mejores resultados se logran utilizando una hoja de corte con puntas de carburo. Corte lenta y cuidadosamente. De esa manera contribuirá a evitar dañar la superficie de los imanes.

PARA TERMINAR:

- Puede caminar sobre su nuevo piso inmediatamente.
- Coloque los zócalos y molduras para cubrir los espacios entre el piso y la pared, y en la transición hacia otros pisos existentes.

- Clave las molduras de zócalo y bordes en las paredes, no las clave en el piso. De esa manera permitirá el movimiento normal del piso flotante.

Cómo colocar tablillas de lengüeta y ranura

Las molduras en T se requieren en habitaciones que tienen más de 40' de ancho o 40' de longitud y cuando las puertas se superponen en habitaciones nuevas que no se unen simétricamente (se cambia la dirección del piso).

- A. Retire toda moldura cuarto bocel, de zócalo y transiciones de puertas existentes. Verifique que todas las puertas se abrán correctamente con un espacio adecuado sobre el espacio existente.

- B. Corte al ras todos los marcos y jambas de puertas con una sierra para jamba para permitir que las tablillas del piso se deslicen debajo de la jamba de la puerta. Si los zócalos siguen instalados, extienda el corte al ras alrededor de 1" más allá del marco de la puerta. Si no hay zócalo, corte únicamente hasta el marco de la puerta.
Importante: ¡no corte los marcos de puertas de metal!

- C. Para determinar la altura de la que debe cortar y la jamba, coloque un pedazo de piso de desecho (y membrana de base, si se utiliza) al lado del marco de la puerta, y coloque encima la hoja de la sierra.

2. A. Instale una barrera de vapor de película de polietileno virgen de 0,15 mm (6 mil) como mínimo si el contrapiso es de cemento. Se trata de un paso importante, no lo omita.
B. Los pisos laminados que no incluyen una membrana requieren una membrana de base entre la barrera de vapor y el piso laminado.

3. Prepare la fila de inicio. Utilice una sierra para cortar a lo largo de la primera fila de tablillas para retirar la lengüeta de todas las tablillas que quedarán pegadas a la pared de inicio.

4. Espaciadores: Utilice espaciadores para pisos laminados en forma de cuña para dejar un espacio de expansión de 1/2". Es importante que la fila de inicio esté perfectamente derecha y que esté apoyada adecuadamente contra la pared inicial. Asegúrese de colocar los espaciadores al lado de cada unión de tablillas, tal como se muestra. Asimismo, siempre debe colocar espaciadores al principio y fin de cada fila. De esa manera fijará en su lugar a los paneles ensamblados y evitará que se muevan durante la instalación.

- Siempre debe dejar un espacio de 1/2" alrededor de todos los demás objetos fijos, incluyendo otros muebles u otros obstáculos.

5. Fila de inicio: Instale las tablillas de izquierda a derecha, contra los espaciadores. Coloque la primera tablilla contra la pared y siga hacia la pared a la izquierda. El borde con la ranura debe estar hacia usted. Luego, coloque la segunda tabla en posición, aproximadamente a 1/8" de la primera. Use un trozo de piso de 4"-6" en un ángulo para sostener temporalmente la lengüeta y la ranura en el mismo plano, limitar el daño de la junta del extremo y asegurarse de que las tablas se enganchen al cuadrado. Golpee ligeramente las juntas de los extremos con múltiples golpecitos, golpeando el bloque uniformemente hasta que las uniones finales se cierren.

- NOTA: Golpear con demasiada fuerza o golpear el bloque de toma de forma irregular puede provocar daños o picos relacionados con la instalación.

- Sigue colocando las tablillas de esta manera (y para cada fila) hasta que alcance la otra pared.

6. Comience la segunda fila insertando la lengüeta de dicha tablilla en la ranura a lo largo del borde de la primera tablilla en la fila anterior a un ángulo de alrededor de 20 grados. Baje la tablilla con firmeza hasta que quede unida.

Instale la segunda tablilla en la segunda fila justo al lado de la primera tablilla insertando la lengüeta en la ranura y presionando la tabla hacia abajo, bloqueándola a la fila anterior.

Luego, golpee suavemente la tablilla (de derecha a izquierda) en su extremo para bloquearla en la primera tablilla.
Nota: use un bloque de instalación para proteger la tablilla.

7. **CÓMO CORTAR LAS TABLAS AL FINAL DE LAS FILAS**

Es necesario cortar la última tabla en cada fila que encaje, manteniendo siempre un espacio de expansión de 1/2" con las paredes. Hágalo de la siguiente manera:

1. Dé vuelta la tablilla de un extremo al otro.
2. Coloque la tablilla que dio vuelta al lado de la fila de tablillas.
3. Marque la tablilla y corte en la marca.

4. Dé vuelta la tablilla a su posición normal e instálela como antes.

* La última sección de cada fila debe tener por lo menos 8".

- * Puede utilizar la sección que cortó para la primera sección de la próxima fila, si tiene un largo mínimo de 8".

8. **IMPORTANTE:** Cuando coloque las tablillas, siempre debe mantener una variación de las uniones de los extremos de fila a fila de por lo menos 12" para lograr la integridad estructural del piso y un aspecto agradable. Utilice tablillas de diferentes cajas para minimizar la concentración de patrones.

Preste mucha atención para evitar que aparezcan patrones de "peldaños de escalera" o en forma de H en el piso.

- Siga instalando las tablillas de esta manera hasta que haya terminado la habitación.

9. Cuando no sea posible colocar los paneles en ángulo para instalarlos (debajo de jambas, zócalos, radiadores, etc.), corte el borde del borde de bloqueo en la ranura utilizando un cincel para madera o garlopa. Coloque una cantidad de 1/8" de adhesivo para lengüeta y ranura (pegamento PVA) a lo largo de la ranura modificada, tal como se muestra.

- Coloque en su lugar la tablilla debajo del obstáculo, luego deslícela suavemente en su lugar y ajústela utilizando una barra de instalación y martillo para golpear.

Limpie el exceso de pegamento con un paño húmedo suave y seque el lugar.

CONSEJO: Utilice cinta de pintor a lo largo de la unión para mantener la fila hasta que se seque el pegamento.

- Si será necesario cortar la última fila a lo largo para encajarla de forma adecuada.

Siga las siguientes instrucciones para hacerlo correctamente:

- A. Coloque una tablilla de piso arriba de la última fila completa, que el lado de la lengüeta tocando la pared.
- B. Luego coloque otra tablilla de piso arriba de dicha tablilla, con el lado de la lengüeta tocando la pared.
- C. Corte la tablilla B como una guía de borde recto y trace una línea a lo largo en la tablilla A.
- D. Utilice la tablilla A a lo largo de dicha línea.

- E. Ahora puede instalar la tablilla A como la última fila. Le recomendamos que utilice pegamento para bordes en esta última

11. Al instalar en **áreas húmedas**, como un baño, cuarto de lavado o cocina, se debe lograr un sello hermético al aplicar un sellador flexible de 100% sílica y una varilla de soporte en el perímetro de la instalación.
 - Rellene todos los espacios de expansión con una barra de respaldo de espuma de PE compresible de 1/2" y cubra con sellador de sílica.

(NO utilice sellador acrílico).

- Aplique sellador de sílica en las conexiones a los marcos de las puertas u otros objetos fijos.
- Instale molduras y limpie inmediatamente cualquier exceso de sellador de sílica. Asegúrese de colocar zócalos o molduras redondas en las paredes, no en el piso.

NOTA: Use una barra de respaldo de espuma de PE compresible de 3/8" y cubra con el sellador de sílica cualquier moldura de transición en áreas húmedas.

12. En las zonas de transición de su nuevo piso flotante hacia otros tipos de pisos, tales como alfombra o cerámica, seleccione un pedazo de moldura adecuado para lograr un borde seguro y de aspecto agradable. Las molduras **redondeadas para extremos** se utilizan para la transición de un piso laminado a una alfombra, puertas corredizas o bordes.

- Las molduras de **reducción** se utilizan para la transición de pisos laminados a superficies duras que son más bajas que el piso, tales como vinilo o cerámica.

- Las molduras de **nariz de escalera** se utilizan cuando el borde del nuevo piso laminado está en un nivel más bajo, tal como cuando el piso llega hasta el escalón superior de una escalera que desciende.

- Las **molduras en T** cubren espacios de expansión en puertas, en la transición de su nuevo piso a otras superficies duras.

- Las molduras **cuarto bocel** se usan para cubrir los espacios de expansión entre los zócalos y el piso.

Instructions d'installation

AVERTISSEMENT: Le perçage, sciage, ponçage ou usinage des produits en bois pourraient vous exposer à la poussière de bois, une substance connue dans l'État de Californie pour causer le cancer. Éviter d'inhaler la poussière de bois, ou porter un masque ou autre moyen de protection pour la protection personnelle. Pour plus d'informations se rendre sur www.P65Warnings.ca.gov/wood.

ATTENTION: Ne pas poncer les surfaces contenant des peintures, finitions à base de plomb, ou de l'amiante. Pour les bâtiments construits en 1978 et plus tôt, contactez l'EPA pour les tests basés sur le plomb avant tout ponçage (www.epa.gov).

Pour obtenir de l'aide pour l'installation ou des informations sur les produits concernant ce revêtement de sol, contacter le magasin d'achat, ou appeler le service à la clientèle Lumber Liquidators au 800-366-4204.

IMPORTANT: Gagnez du temps et évitez la frustration! Lisez toutes les instructions avant de commencer l'installation! UTILISATION RECOMMANDÉE :

- Le revêtement de sol stratifié AQUASEAL™ est conçu comme un revêtement flottant, et il est installé en utilisant un système patenté sans adhésif, à base de clics.
- Ce produit stratifié est seulement un revêtement de sol, il n'a pas été conçu en tant que matériau de structure.
- Ce produit est recommandé pour une utilisation à l'intérieur seulement et peut être installé sur, au-dessus ou en dessous des niveaux de qualité.

- Voir la garantie du produit pour plus de détails.

• **IMPORTANT!**

Lors de l'installation dans des **zones humides**, par exemple salles de bain, buanderies ou cuisines, un joint étanche sera obtenu par l'application d'un mastic flexible 100% en silicone sur tout le périmètre de l'installation.

NE PAS utiliser un mastic acrylique. Voir l'étape 11, à la page suivante pour les détails.

- Ce revêtement de sol stratifié ne convient pas pour les zones d'habitude humides, par exemple, sans s'y limiter: hammams et saunas. Ne pas installer dans les chambres qui ont des siphons de sol ou des pompes de puisard.

CONDITIONS DE CHANTIER :

- Le bâtiment devrait être fermé, avec toutes les portes et fenêtres en place.
- Les chambres doivent être dans des conditions de vie normales avec CVC opérationnel.
- Les vides sanitaires doivent être d'au moins 46 cm à partir du fond de la solive de plancher au sol. Les vides sanitaires doivent avoir une ventilation transversale adéquate. Le sol des vides sanitaires doit avoir une pellicule d'au moins polyéthylène vierge d'au moins 0,15 mm [6 mil] couvrant l'ensemble du vide sanitaire. Les sous-sols, vides sanitaires et garages sous le plancher doivent être séchés et bien aérés.

- Toutes les ouvertures doivent être en place et fonctionner correctement. Le terrassement du chantier doit être incliné pour laisser l'eau couler loin de la fondation du bâtiment.

- Pour éviter des dommages à la finition du sol, toute l'activité de construction devrait être terminée avant l'installation de ce sol stratifié.

STOCKAGE & ACCLIMATATION :

- Le plancher doit être livré et stocké à plat sur une surface sèche dans des boîtes non ouvertes dans la pièce où le revêtement de sol doit être installé.

- Aclimater pour un minimum de 48 heures avant l'installation (96 h dans des climats très secs ou humides) et à au moins 1 m des murs extérieurs et des fentes de chaleur / climatisation. • Ne pas entreposer dans les dépendances, garages ou directement sur le ciment. Si le plancher doit être mis sur le ciment, il faut poser une bâche plastique pour protéger contre la moisissure et élever les planches afin de permettre la circulation de l'air.

- L'installation doit être effectuée à une température ambiante de 15-29° C, et une température de sous-plancher d'au moins 15° C.
- L'humidité relative dans la chambre devrait être 35-75%.
- Les conditions appropriées du site doivent être maintenues pendant toute la durée de vie du revêtement de sol.

- Une fois que les boîtes sont ouvertes, le revêtement doit être installé rapidement.
- Protéger les coins du carton contre les dommages. Protéger de la pluie ou de l'humidité.
- Le stockage et l'acclimation incorrecte peuvent entraîner des déformations et peuvent empêcher un assemblage correct de ce stratifié.

INFORMATIONS GÉNÉRALES :

- Il est recommandé d'ajouter un facteur de déchets de 5% au-dessus la superficie réelle de la chambre qui doit être couverte.

Les installations diagonales peuvent exiger 10% de matériel supplémentaire. Il est recommandé de garder une boîte supplémentaire pour les réparations futures si nécessaire.

- Le revêtement stratifié AQUASEAL™ ne doit pas être installé en contact avec toutes obstructions fixes (murs, montants de porte, tuyaux, attachés, poteaux, luminaires, éléments encastrés, etc.) et ne doit pas être collé, cloué, vissé ou autrement fixé ou assés (par exemple, arrêt de porte, piste de placard) au sous-plancher de quelque façon. Ceci est un plancher «flottant» et doit avoir de la place pour dilater et se contracter.

- Un espace d'expansion minimum de 1,2 cm est nécessaire sur tous les côtés, et devant tous les obstacles verticaux. Cet écart d'expansion peut être couvert avec une plinthe, un moulage rond, ou la garniture de plancher appropriée.

- Ne pas installer sous les armoires de base de la cuisine, les îles, etc. de tout type. Installer les armoires d'abord, puis le plancher.

- Retirer les languettes ou rainures sur le côté des planches qui viennent buter les murs et/ou obstructions verticales.

- Les **mouleurs en T sont requises dans les espaces dont la longueur ou la largeur dépasses les 12 m (40 pieds) et lorsque les cadres de porte se chevauchent dans d'autres chambres de manière asymétrique (la direction du revêtement de sol se modifie).**

- Le flambement